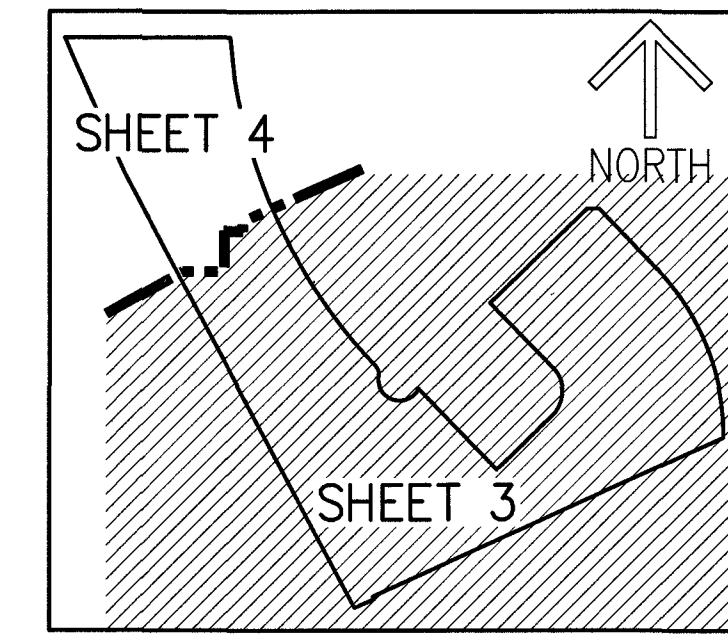


PASTEUR PLAT TWO

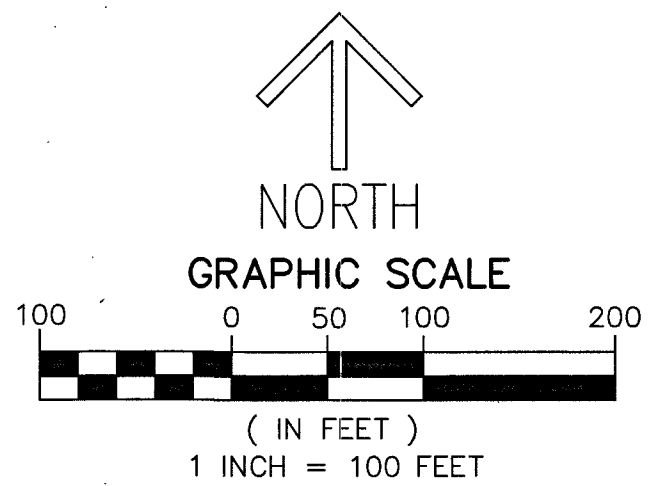
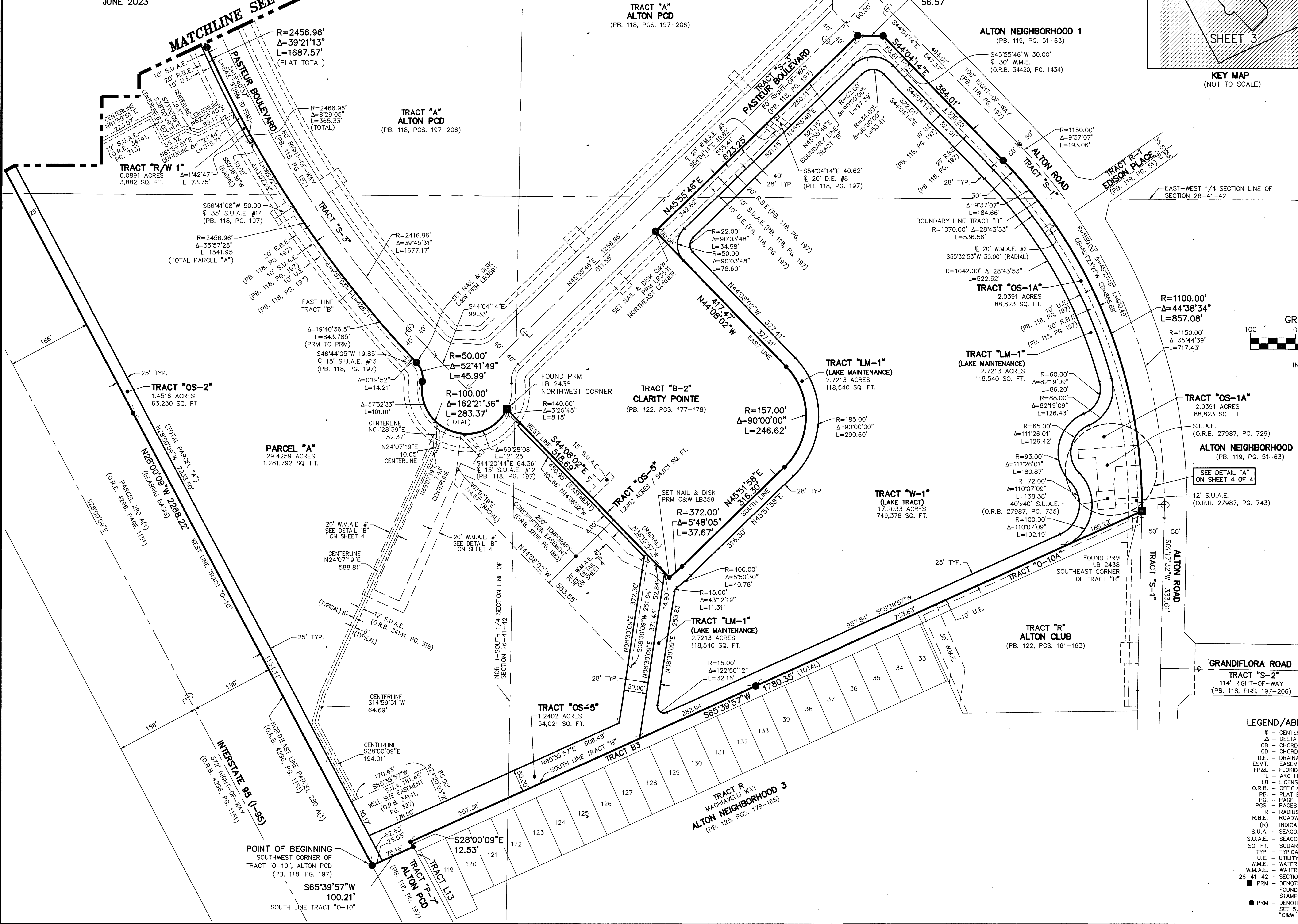
BEING A REPLAT OF A PORTION OF TRACT "B" AND A PORTION OF TRACT "O-10", ALTON PCD, AS RECORDED IN PLAT BOOK 118, PAGES 197 THROUGH 206, OF THE PUBLIC RECORDS OF PALM BEACH COUNTY, FLORIDA, LYING IN SECTION 26, TOWNSHIP 41 SOUTH, RANGE 42 EAST, CITY OF PALM BEACH GARDENS, PALM BEACH COUNTY, FLORIDA.

THIS INSTRUMENT PREPARED BY
DAVID E. ROHAL
OF
CAULFIELD & WHEELER, INC.
SURVEYORS - ENGINEERS - PLANNERS
7900 GLADES ROAD, SUITE 100
BOCA RATON, FLORIDA 33434 - (561)392-1991
CERTIFICATE OF AUTHORIZATION NO. LB3591
JUNE 2023



152

SHEET 3 OF 4



- LEGEND/ABBREVIATIONS:**
- CL - CENTERLINE
 - Δ - DELTA (CENTRAL ANGLE)
 - CB - CHORD BEARING
 - CD - CHORD DISTANCE
 - D.E. - DRAINAGE EASEMENT
 - ESMT. - EASEMENT
 - FP&L - FLORIDA POWER & LIGHT COMPANY
 - L - ARC LENGTH
 - LB - LICENSED BUSINESS
 - O.R.B. - OFFICIAL RECORD BOOK
 - PB. - PLAT BOOK
 - PG. - PAGE
 - PGS. - PAGES
 - R - RADIUS
 - R.B.E. - ROADWAY BUFFER EASEMENT
 - (R) - INDICATES RADIAL LINE
 - S.U.A. - SEACOAST UTILITY AUTHORITY
 - S.U.A.E. - SEACOAST UTILITY AUTHORITY EASEMENT
 - SQ. FT. - SQUARE FEET
 - TYP. - TYPICAL
 - U.E. - UTILITY EASEMENT
 - W.M.E. - WATER MANAGEMENT EASEMENT
 - W.M.A.E. - WATER MAINTENANCE ACCESS EASEMENT
 - 26-41-42 - SECTION 26, TOWNSHIP 41 SOUTH, RANGE 42 EAST
 - PRM - DENOTES PERMANENT REFERENCE MONUMENT
 - PRM - DENOTES PERMANENT REFERENCE MONUMENT SET 5/8" IRON ROD WITH PLASTIC CAP STAMPED "C&W PRM LB 3591", UNLESS OTHERWISE NOTED